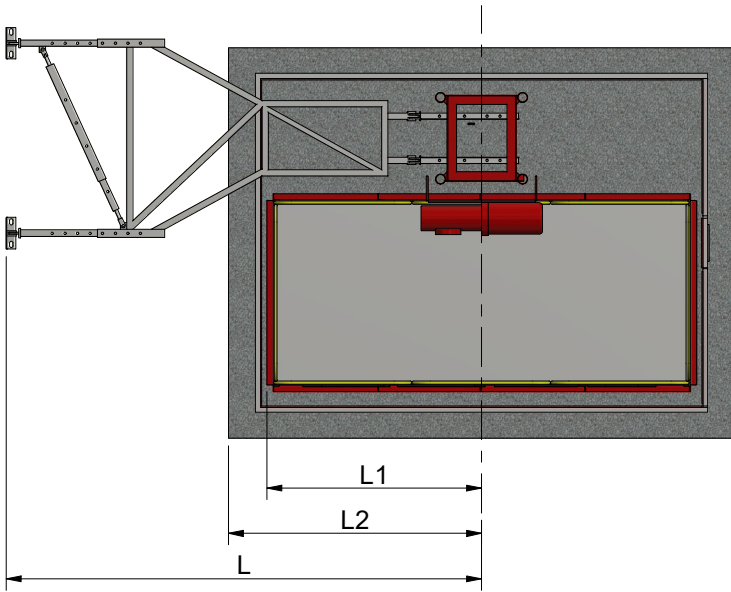




## DIMENSIONS OF TIE IN TYPE II:

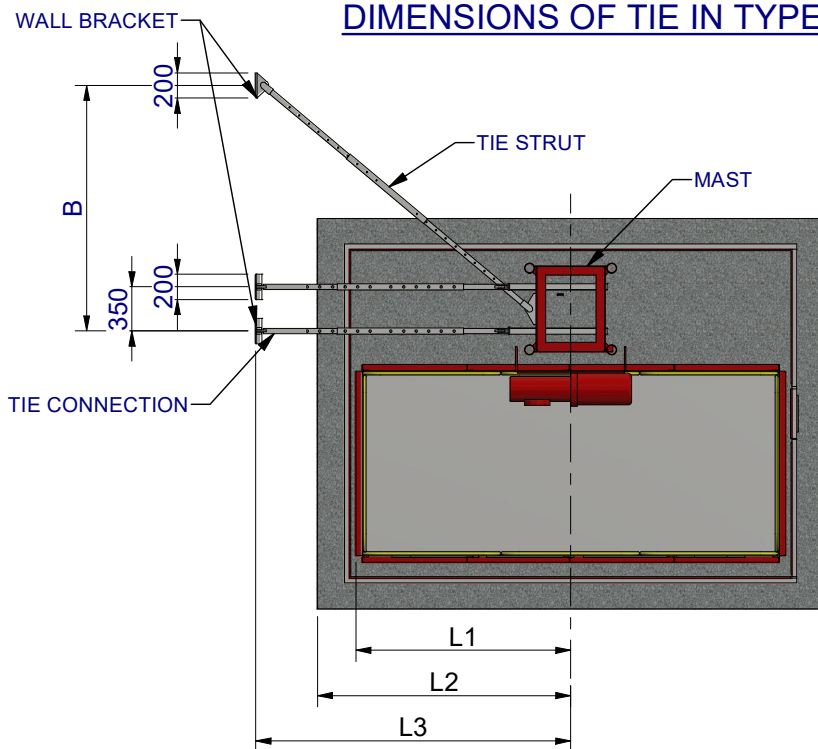


**Note:** The Tie in connections shown are examples of typical installations. Please note, however, that factors affecting the type of tie-in to be used may vary due to project specific criteria

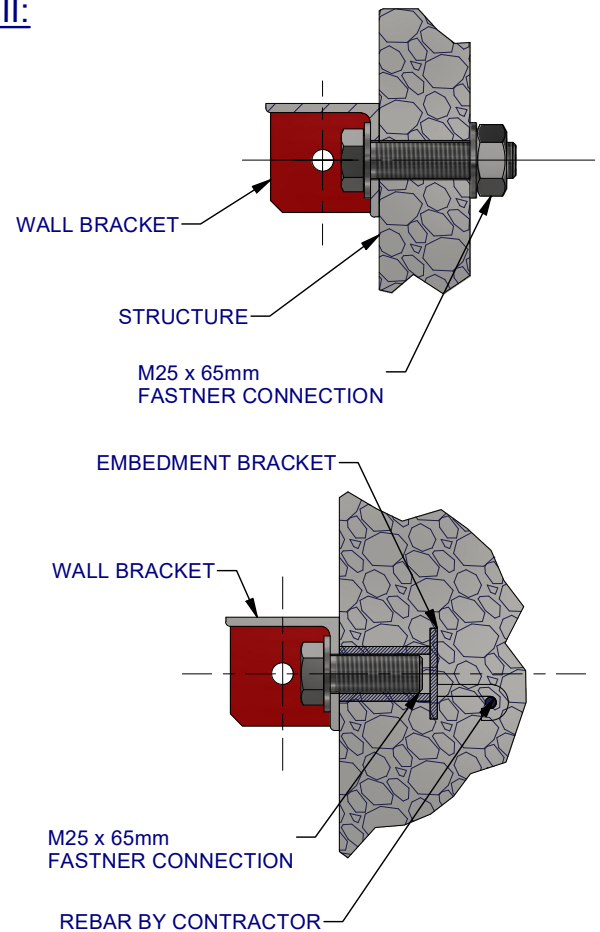
CAGE	L	L1	L2
3200 x 1500	2900 - 3600	1635	1800
3800 x 1500	3400 - 4100	1935	2100

## MAST TIE CONNECTION:

### DIMENSIONS OF TIE IN TYPE III:

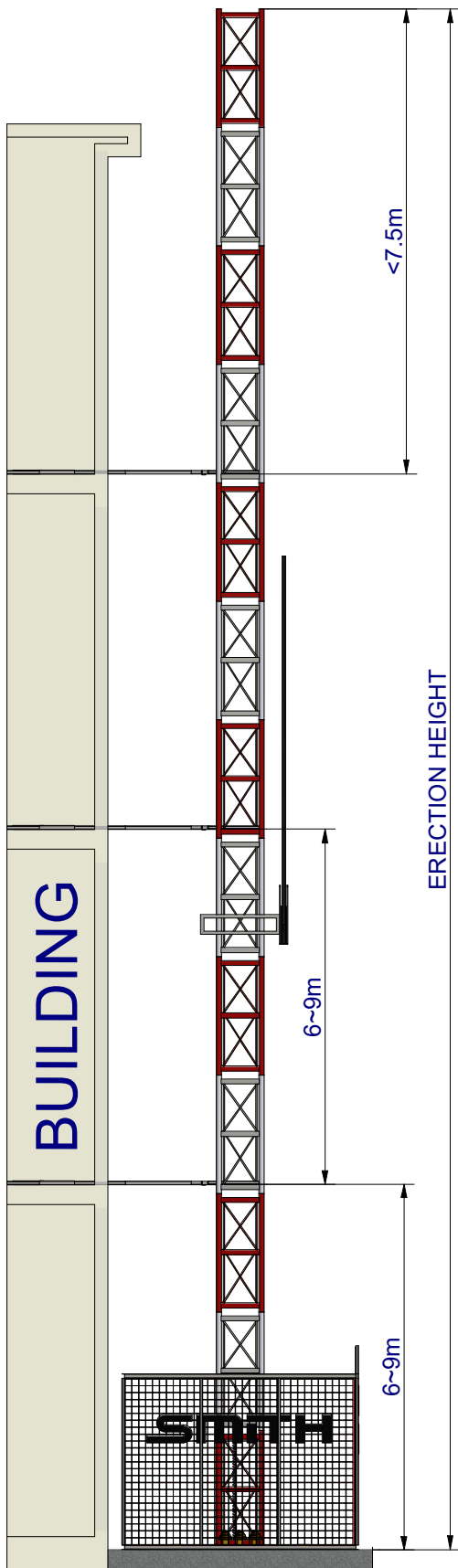


CAGE	L	L1	L2	B
3200 x 1500	1800 - 2500	1635	1800	1000 - 1570



## INSTALLATION:

- Adding mast section does not require special equipment
- For instructions regarding the installation, refer to manufactures manual
- Specification and equipment shown are subject to change without prior notification
- Drawings are for illustrative purposes only. Do not scale
- This product to be used in a safe manner. Furthermore, the use of this product and its components must be conformity with manufactures specification and in compliance with all applicable standards, codes, regulations etc



TECHNICAL DATA	SC200/SC200TD	SC200 GZ
Configuration	Single cage hoist	Single cage hoist
Max Load Capacity	2000kg	2000kg
Max passengers per car	24	24
Car Lifting Speed	36m/min	63m/min
Max height with std.mast	252m	252m
Max Tie-ins distance	8.8m	8.8m
Min.Tie-ins distance	5.8m	5.8m
Erection speed	36m	20m
Safety Device	SAJ40 1.2	
ELECTRICAL DATA		
Frequency drive	n/a	55kW
Power Supply	380/440V 50/60Hz	380/440V 50/60Hz
Full load current	62 Amps	103 Amps
Power required	80 kVA	80 kVA
Motors	3 x 11 kW	3 x 18.5 kW
CAR DIMENSIONS		
Internal width & height	1.5 x 3.2m	1.5 x 3.2m
Internal height	2.5m	2.5m
Door width & height	1.5 x 2m	1.5 x 2m
C-side gate	n/a	n/a
Access door width & length	0.8 x 0.76m	0.8 x 0.76m
<b>Mast section dimension</b>	Ø0.65 x 0.65 x 1.5m	Ø0.65 x 0.65 x 1.5m
WEIGHTS		
Erection load	2000kg	1000kg
Car weight	1463kg	1570kg
Motor pack	692kg	875kg
Counter weight	n/a	n/a
Base enclose weight	980kg	980kg
Mast section(1) rack, 8mm	160kg	160kg
Mast section(2) rack, 8mm	185kg	185kg

Please refer to manufactures manual when installing, operating, servicing, jumping or dismantling hoist. This data sheet contains information for typical SC200/SC200TD & SC200GZ installation.

For alternate configuration and special applications, contact **SMITH CRANES & CONSTRUCTION** for information.